



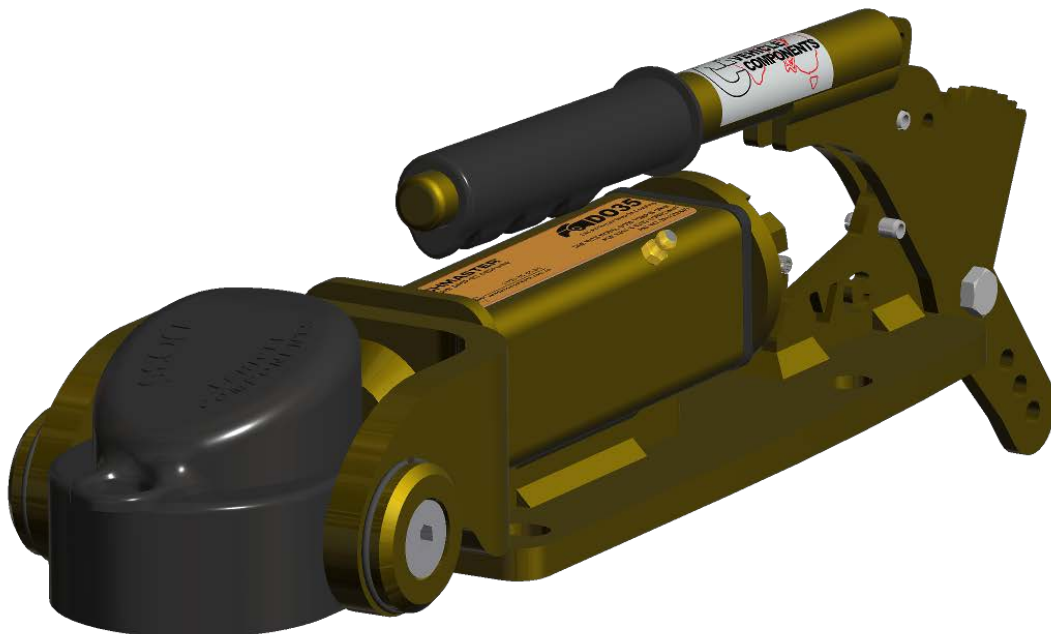
**CUSTOMER INFORMATION SHEET – NO. 35**

**DO35 V2 MAINTENANCE INSTRUCTIONS**

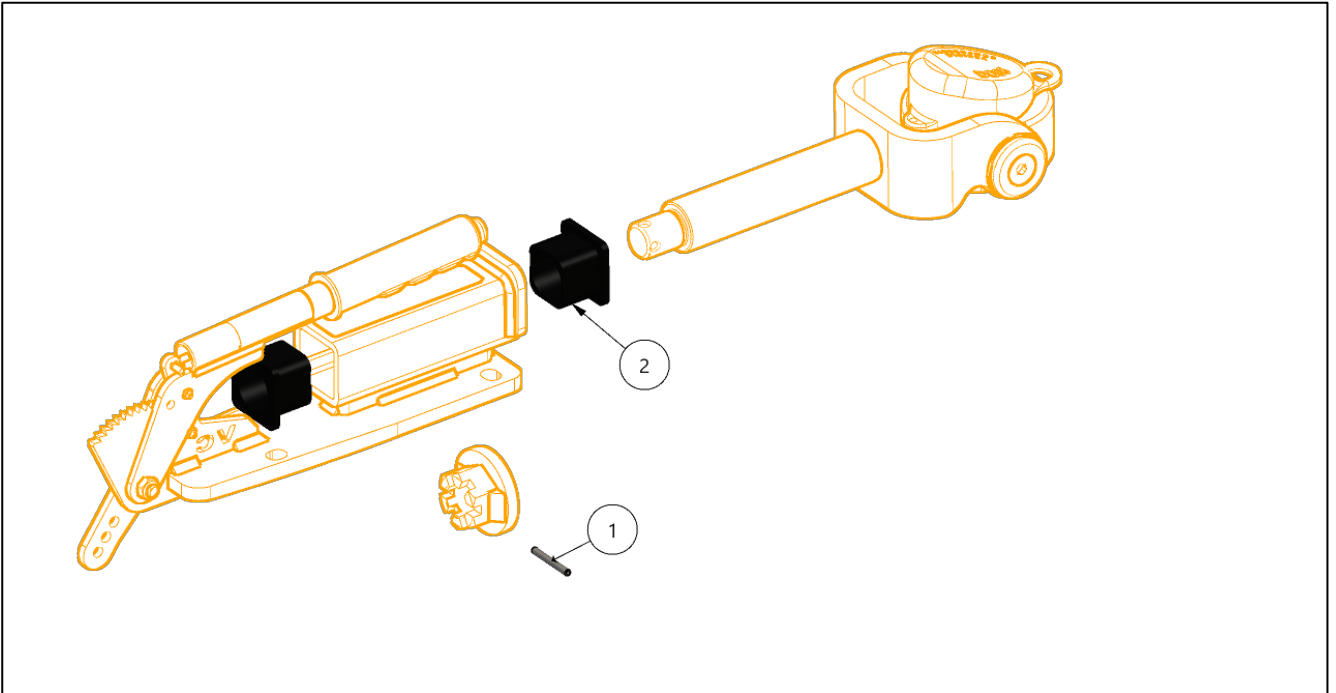
**Table of Contents**

**DO35 V2 Coupling**

1.0 Replacing Spindle Bushes .....2  
2.0 Replacing Locking Mechanism.....8  
3.0 Replacing Bump Cover .....14  
4.0 Replacing Dust Cover .....17  
5.0 Replacing Yoke and Universal Assembly.....19



## 1.0 Replacing Spindle Bushes



### Spindle Bush Replacement Kit – 18D-DO35-SPINDLE-BUSH

ITEM	ITEM QTY	DESCRIPTION
1*	1	SEL-LOC M5x40
1*	1	SEL-LOC M6x40
2**	2	SPINDLE BUSH RHS BODY BLACK
2**	2	SPINDLE BUSH RHS BODY GRAY
	1	GREASE SACHET



EXAMPLE OF  
DATE STAMP

\*Depending what size is currently assembled.

\*\* Depending on what colour bush is assembled on your coupling (BLACK OR GRAY) please use the same colour.

Check the date stamp on coupling and use 5mm sel-loc pin on pre-January 2015 units. Check to make sure the sel-loc pin is the same before installing.

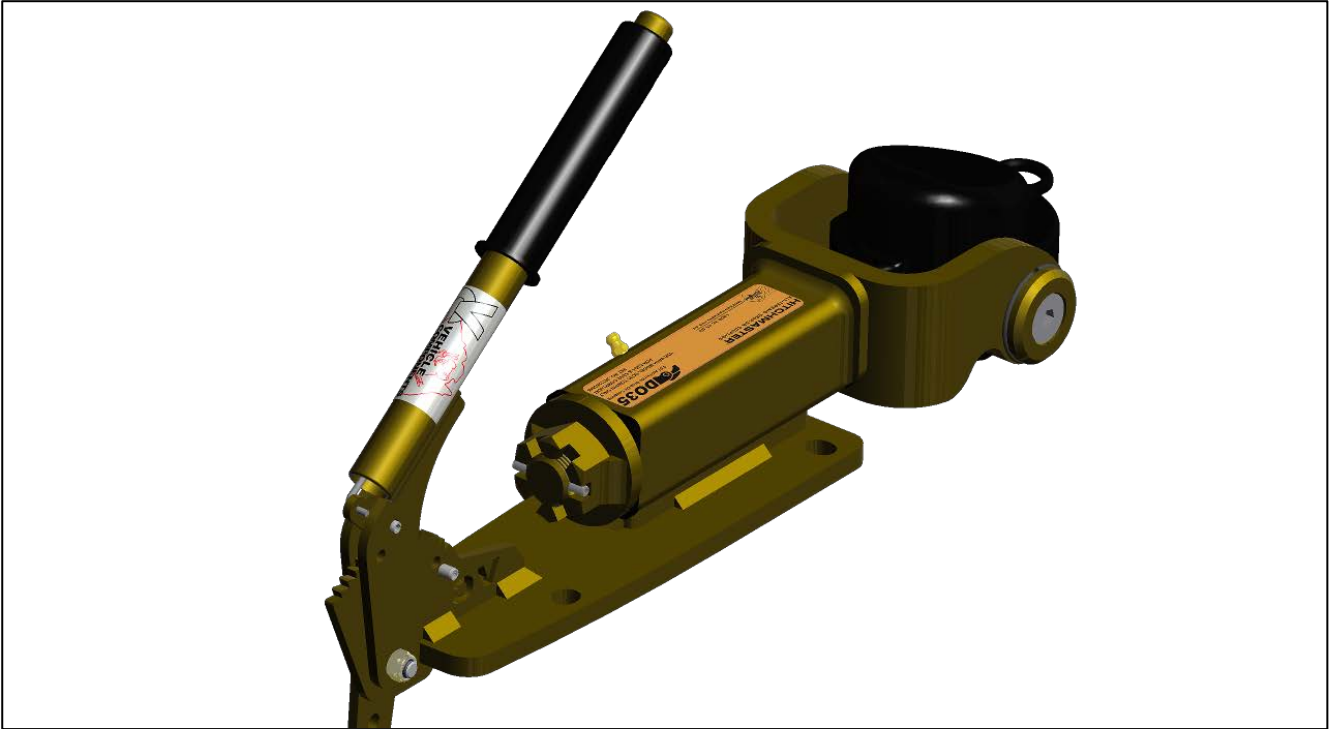
#### Tools required

- 1 ½" Spanner or Adjustable Wrench
- Hammer
- 5mm or 6mm punch depending on pin

Spindle bushes may be replaced without the need to disassemble the front locking mechanism and universal should this be the only maintenance requirement.

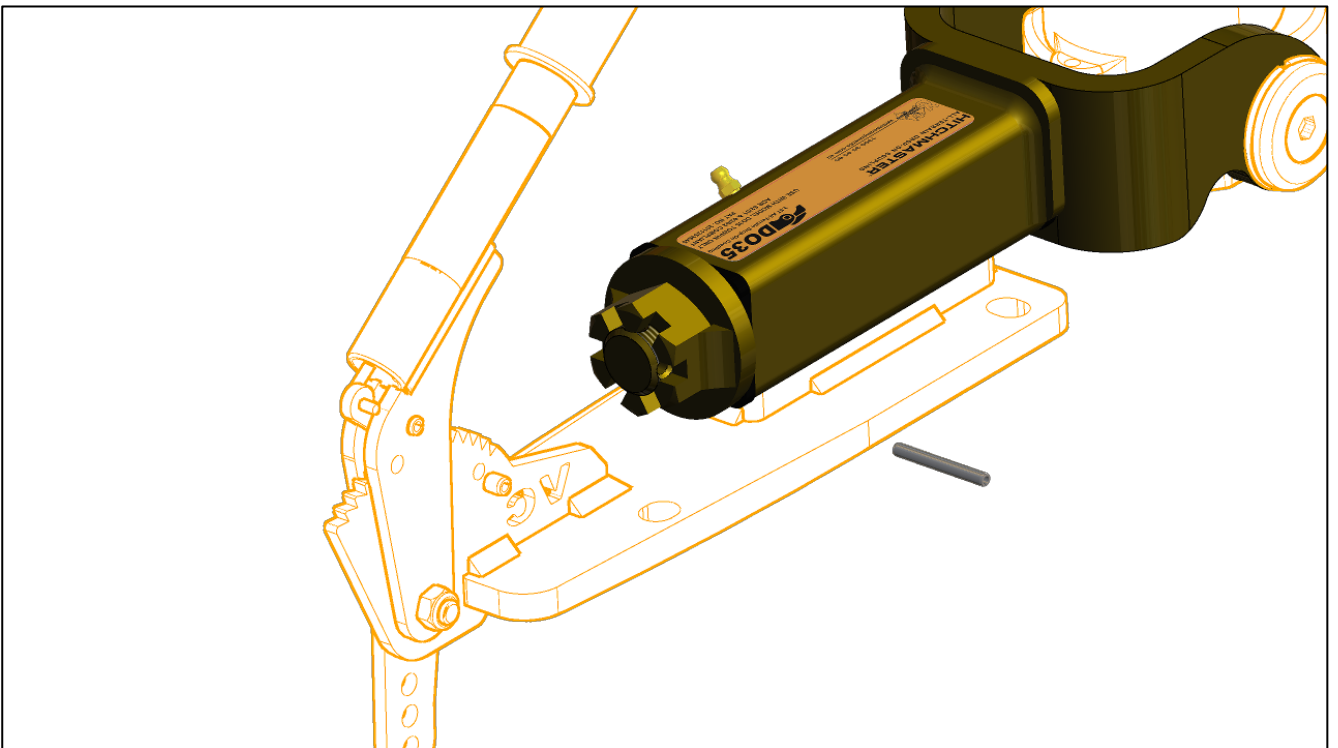
**FAILURE TO FOLLOW ANY OF THESE DIRECTIONS MAY RESULT IN COUPLING FAILURE.**

## 1.1



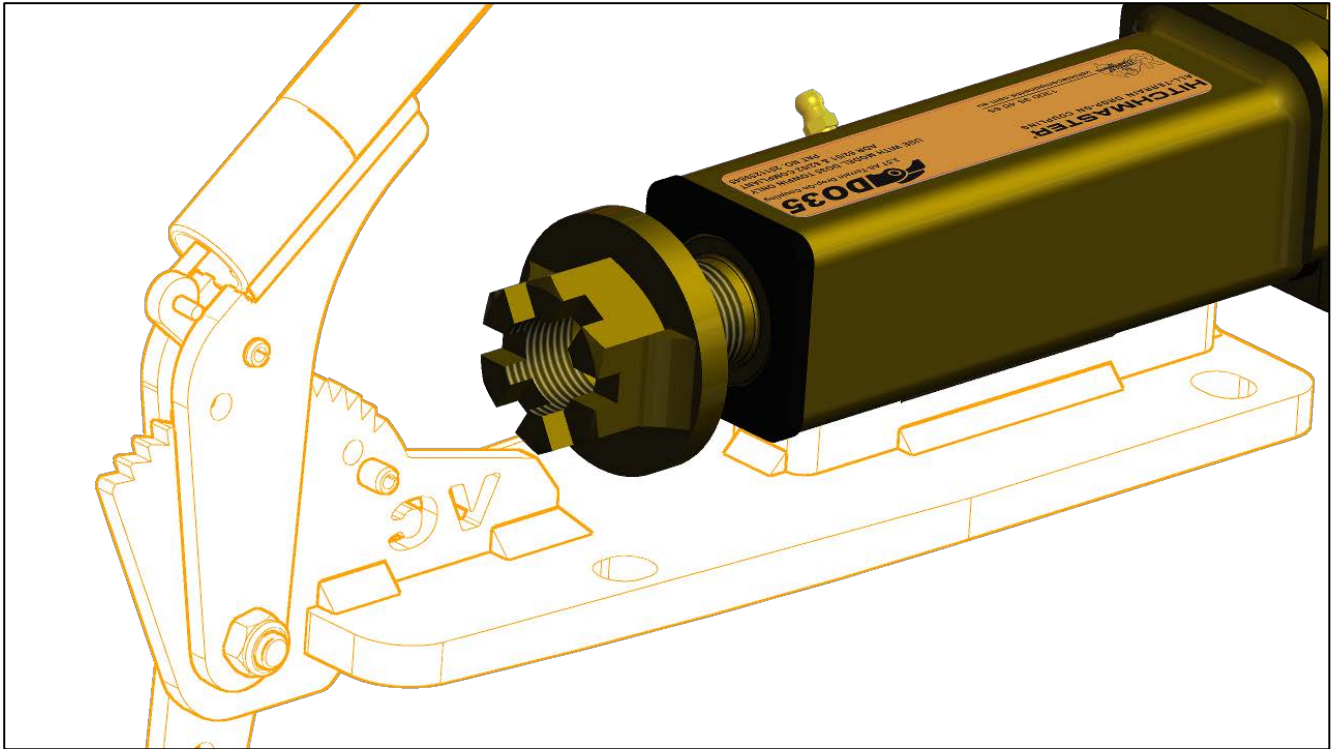
Lift handbrake handle up to give as much clearance as possible.

## 1.2



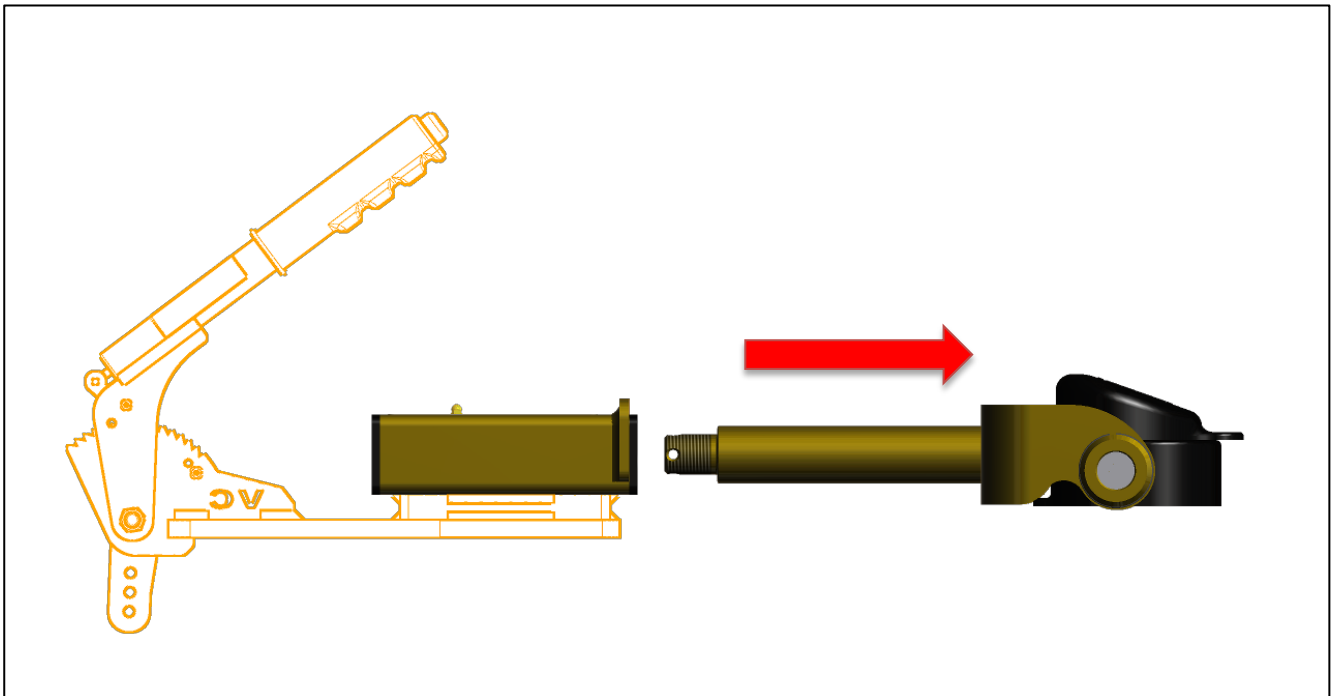
Tap out sel-loc pin using the punch.

1.3



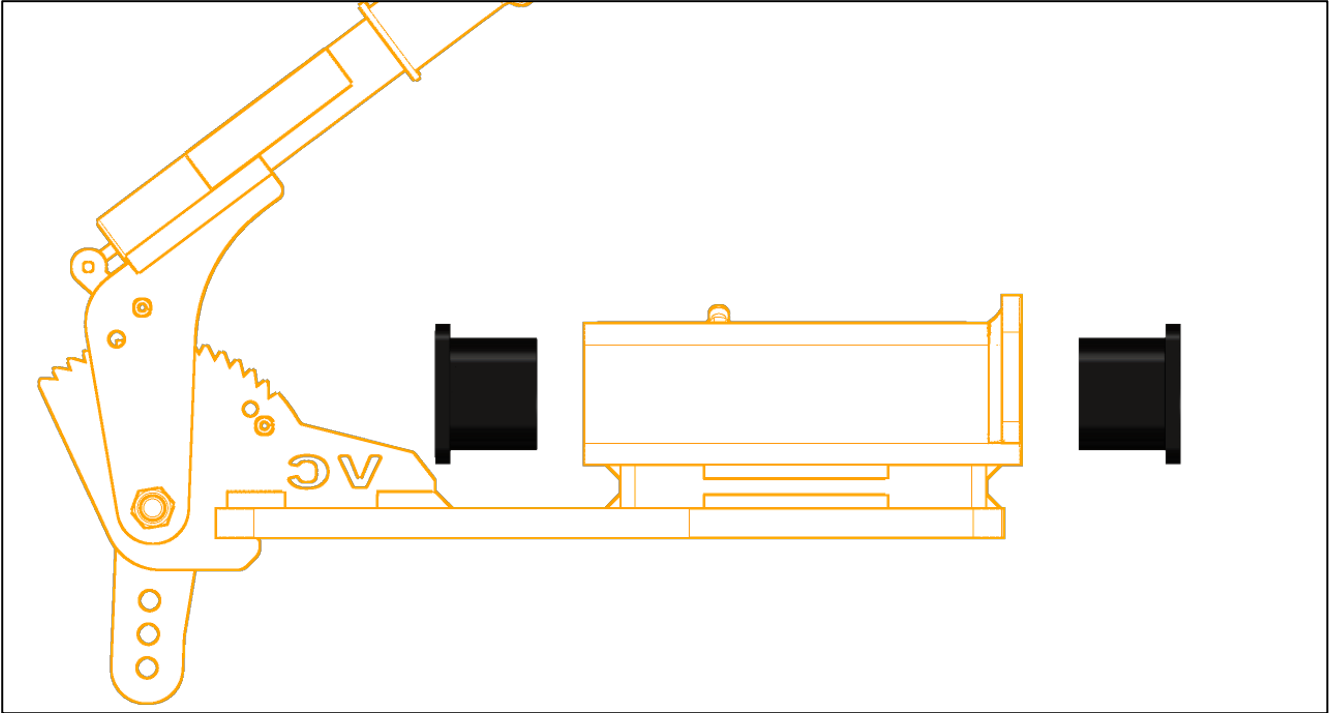
Undo the nut.

1.4

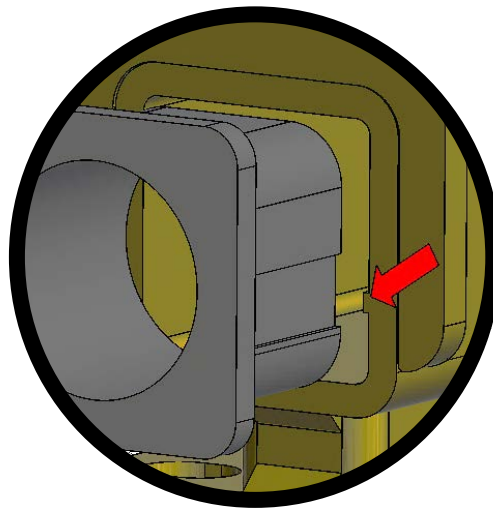


Remove the yoke assembly.

1.5



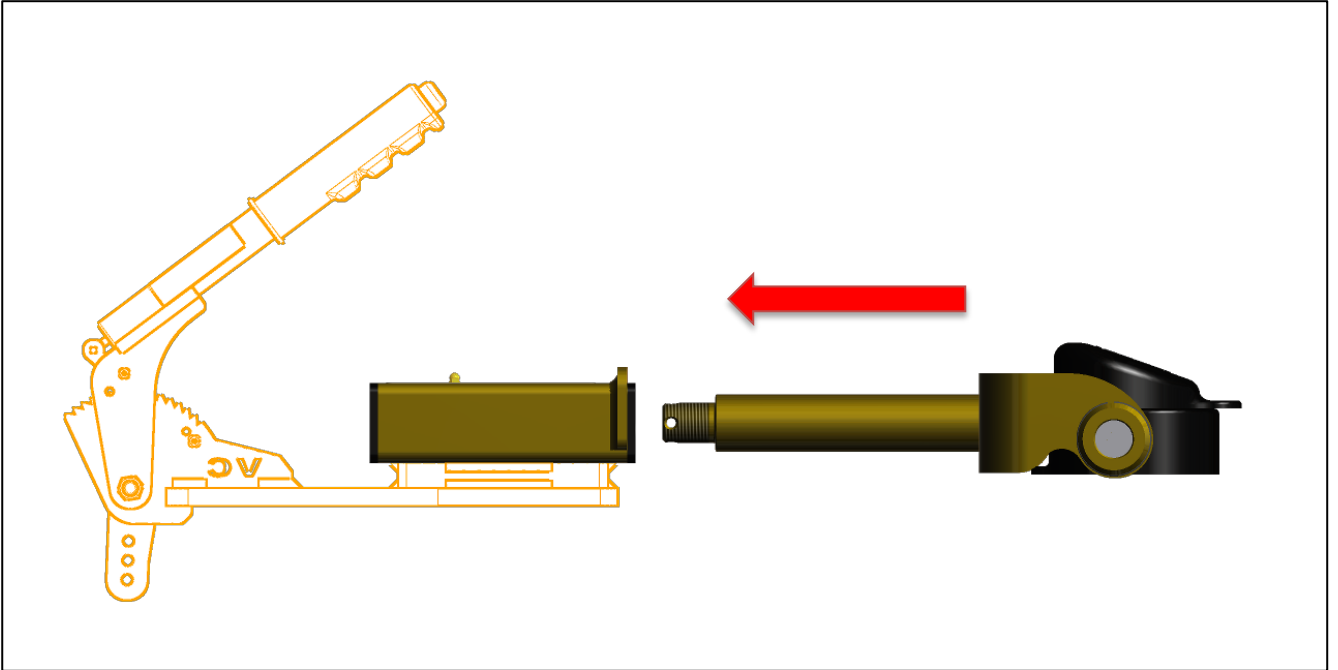
Remove and replace the poly bushes. Apply a layer of grease to the outside of the bush and the internal bore to allow the spindle to slide in with ease. Be sure to line up the bush groove with the weld seam on the inside of the housing as shown in the detail below.



Detail of weld seam

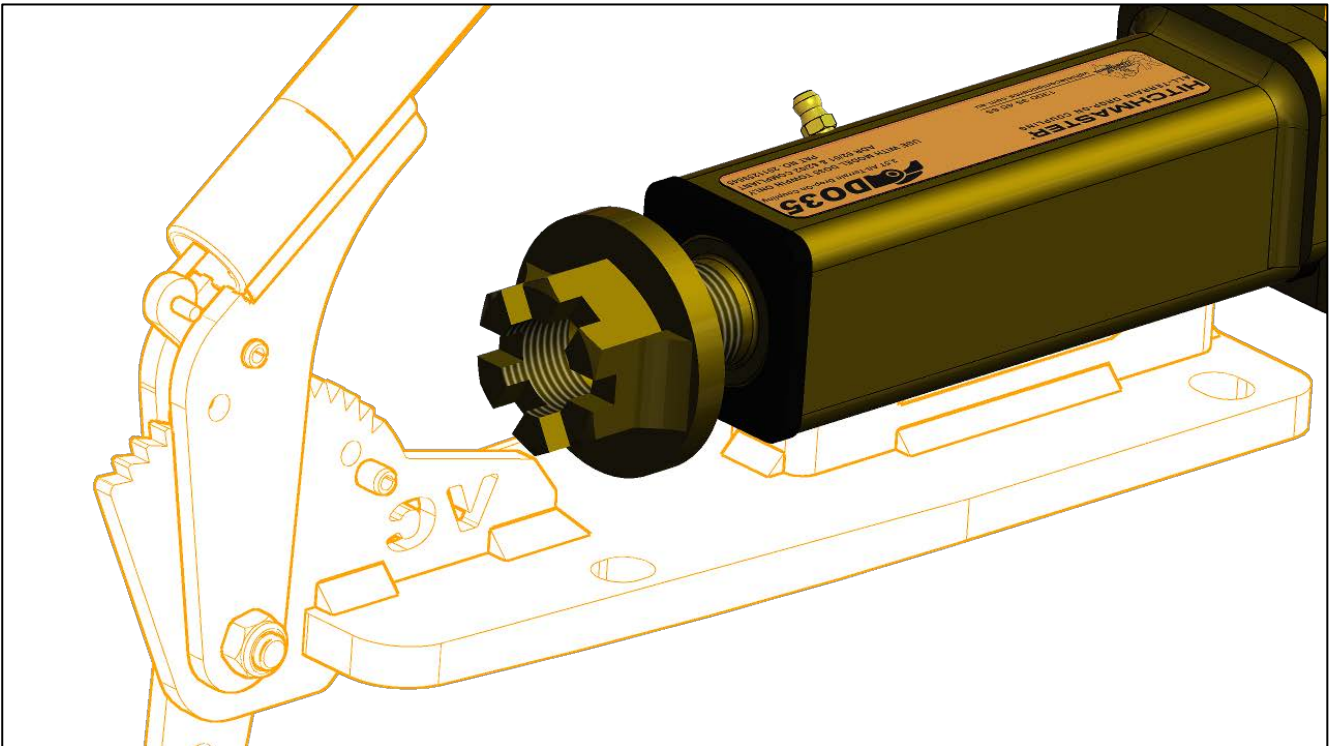
Align up the bush groove with the weld seam

## 1.6



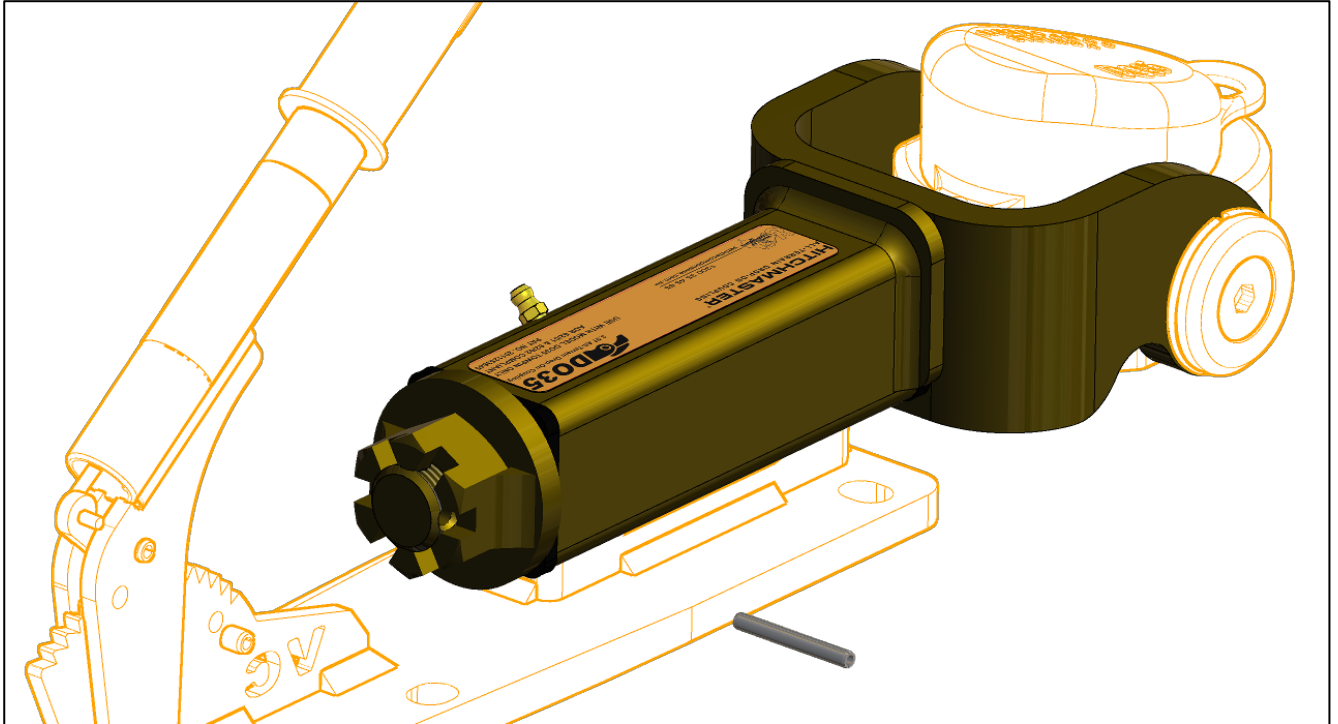
Insert the yoke assembly.

## 1.7



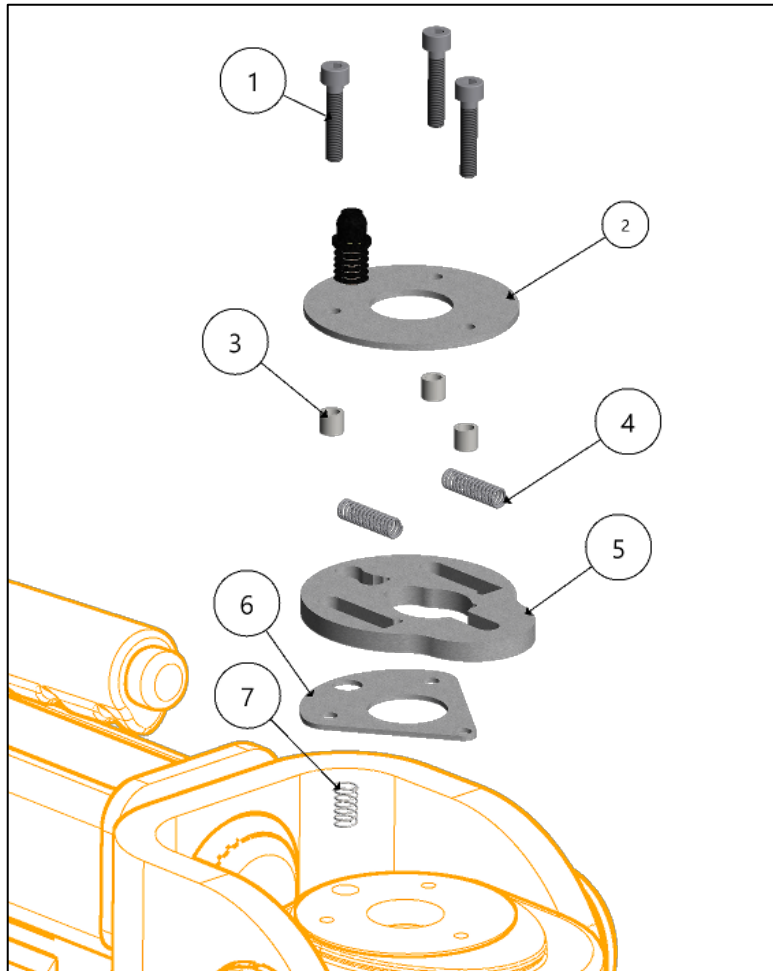
Tighten the nut until the assembly is firm but still allows rotation of the yoke assembly with some effort.

## 1.8



Align the nut to the nearest cross-hole in the spindle and hammer sel-loc pin into position. Ensure the new pin is same diameter as old pin. Grease coupling until the grease starts squeezing out from the sides of the bushes. Check rotation of yoke.

## 2.0 Replacing Locking Mechanism



### DO35 REPAIR LOCK ASSEMBLY – 18D-DO35-REPAIR

ITEM	ITEM QTY	DESCRIPTION
1	3	M5 X 16 SHCS 304SS W LOCTITE
2	1	COVER PLATE BUTTON ASSEMBLY
3	3	SLEEVE V2
4	2	SLIDE SPRING
5	1	SLIDER V2
6	1	WASHER PLATE
7	1	PLUNGER SPRING

#### Tools required

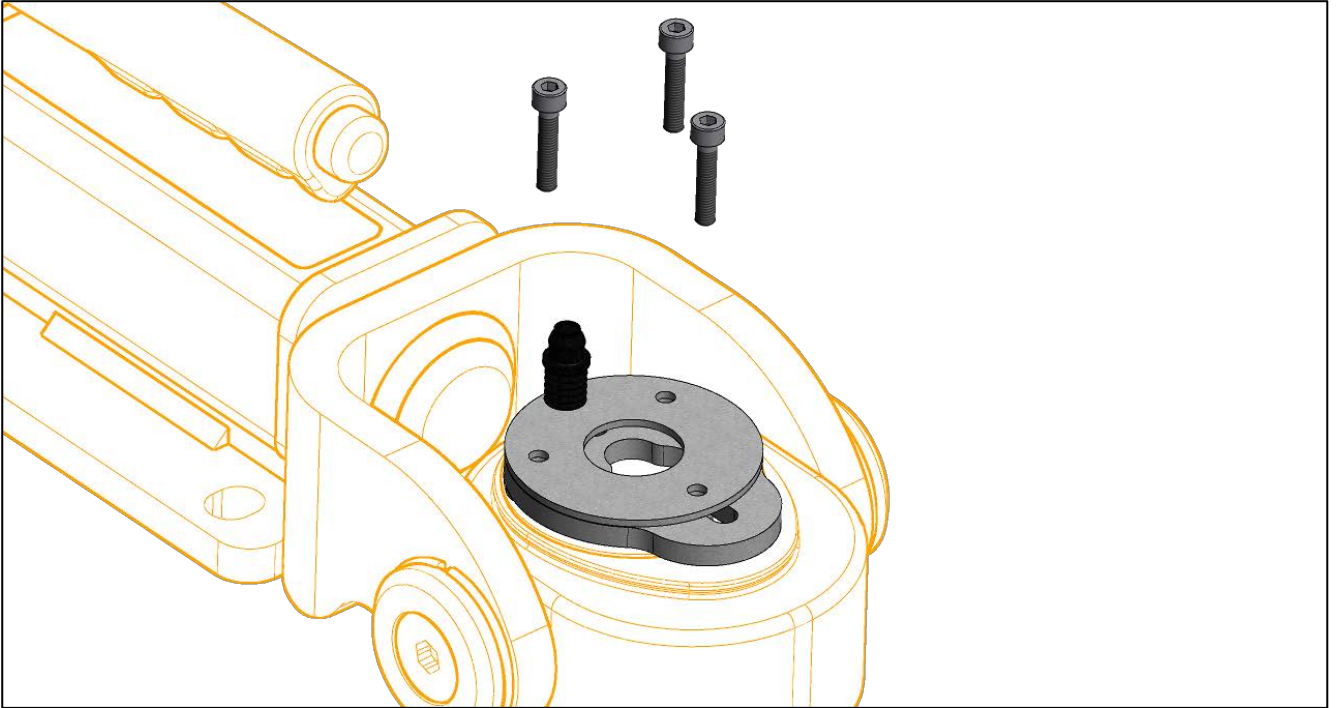
- 4mm Hex Key
- Torque Wrench with 4mm Hex Key attachment (5Nm capable)
- M5 Thread Tap

The locking mechanism may be disassembled with the remainder of the coupling intact.

**FAILURE TO FOLLOW ANY OF THESE DIRECTIONS MAY RESULT IN COUPLING FAILURE.**

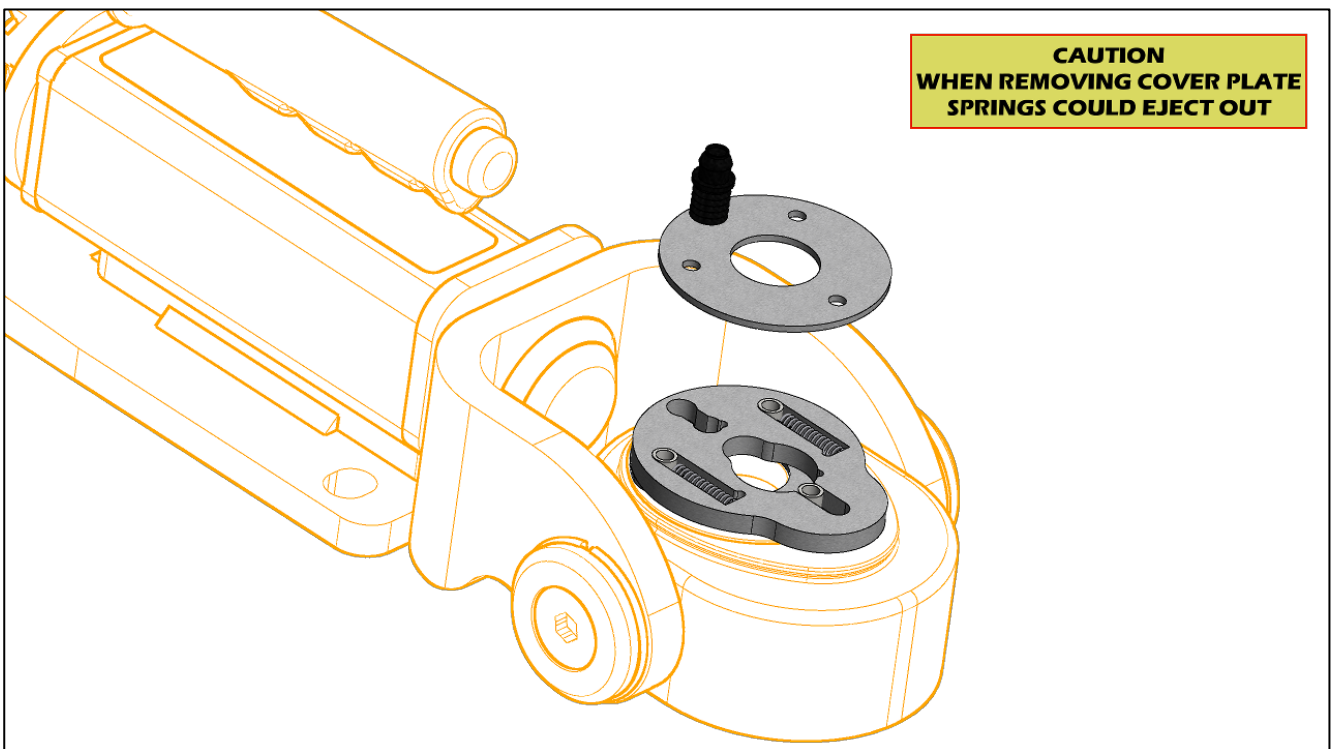


## 2.1



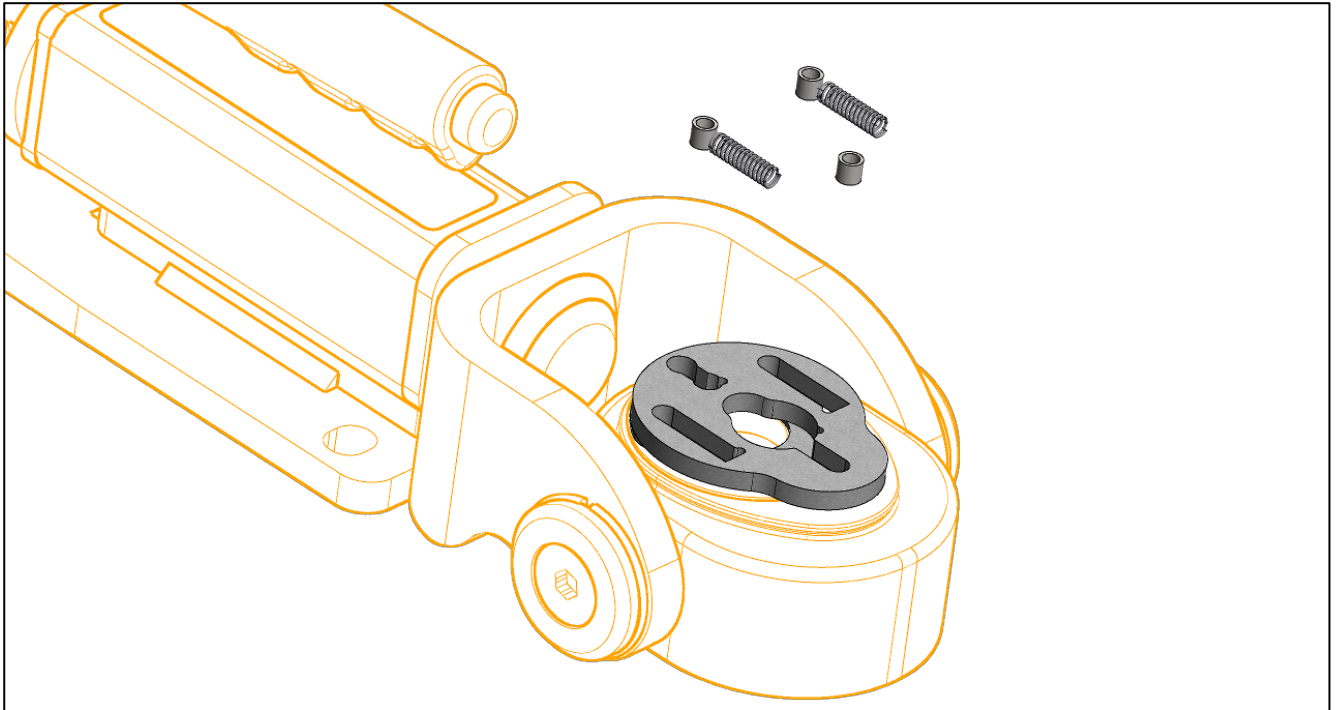
Remove the three socket head cap screws and discard.

## 2.2



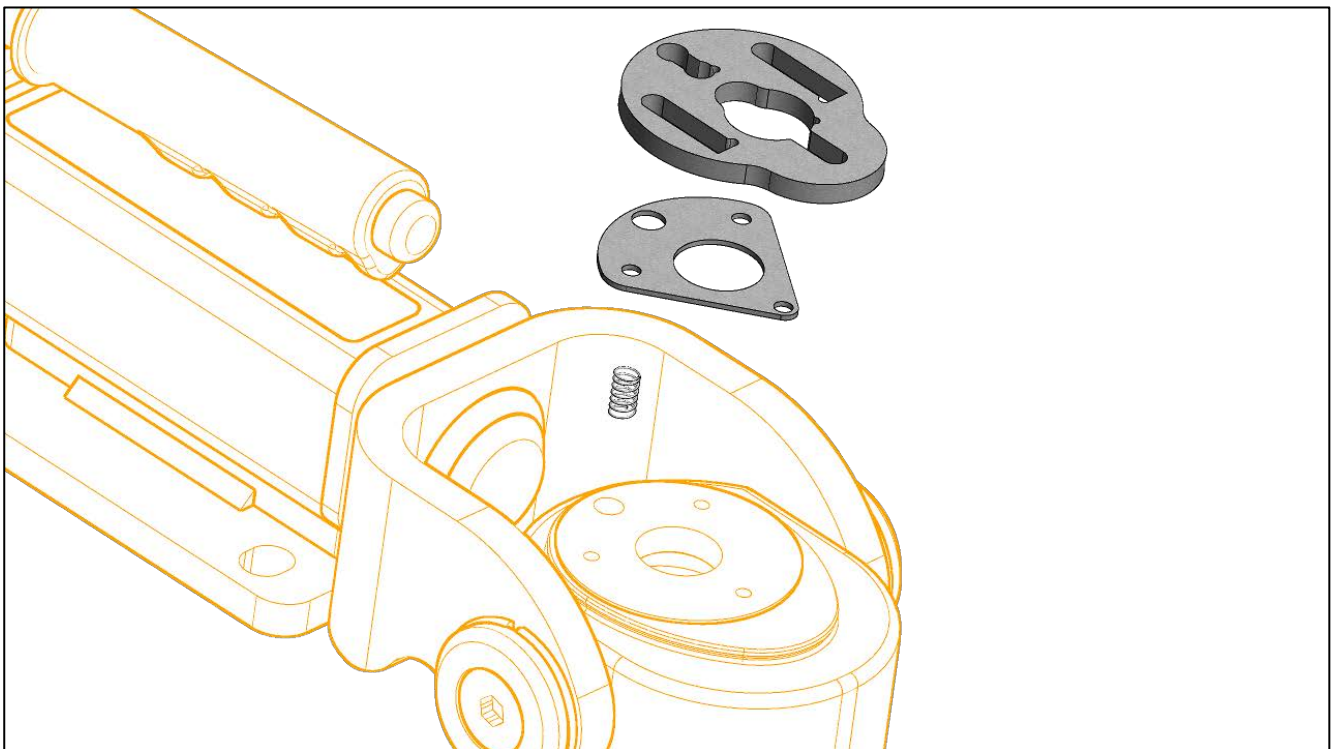
The disassembly of the rest of the locking mechanism can be done in one go or separately. Carefully remove cover plate and discard.

### 2.3



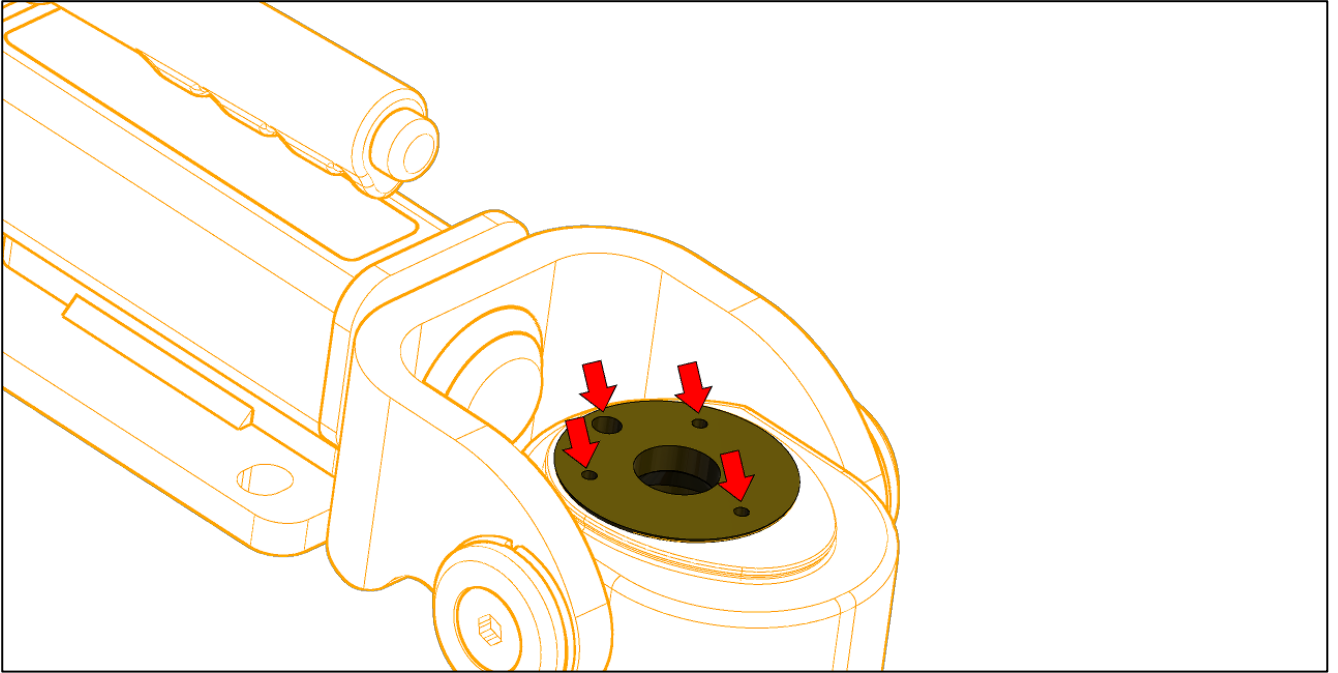
Carefully remove the slide springs and spacers and discard.

### 2.4



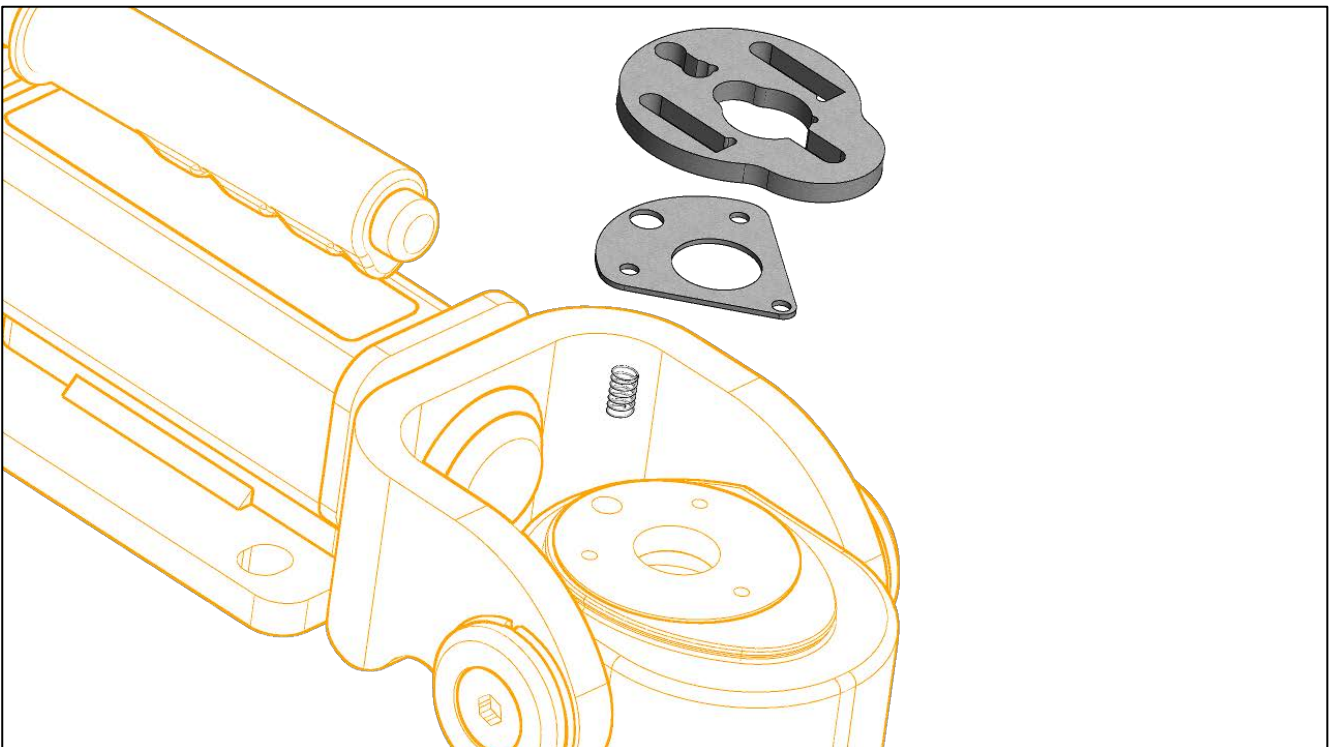
Remove the slide and washer plate and the plunger spring and discard.

## 2.5



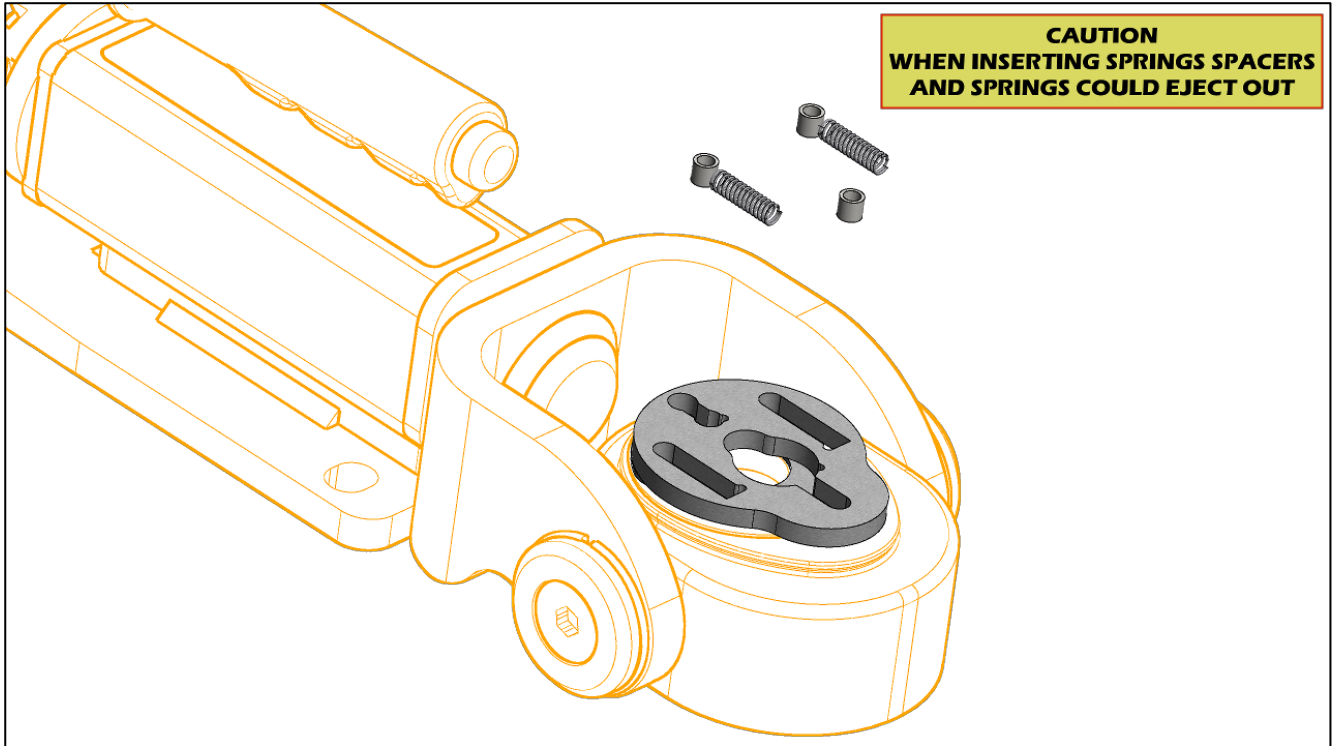
Using the 5mm thread tap clean out the three threaded holes making sure that all the debris is out and also clean out spring hole. **MUST BE CLEAN AND DRY**

## 2.6



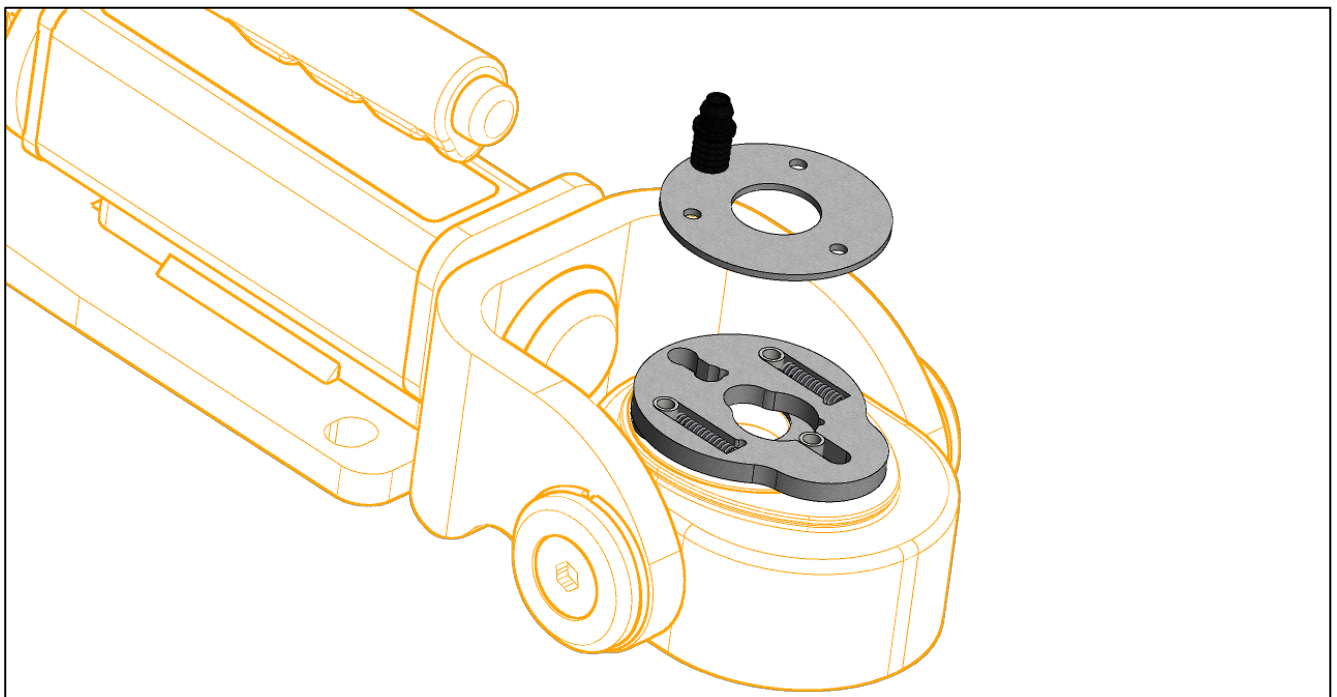
Reassemble with the new parts that are given, place the plunger spring in the plunger spring hole with the washer plate on top and the slider plate next.

## 2.7



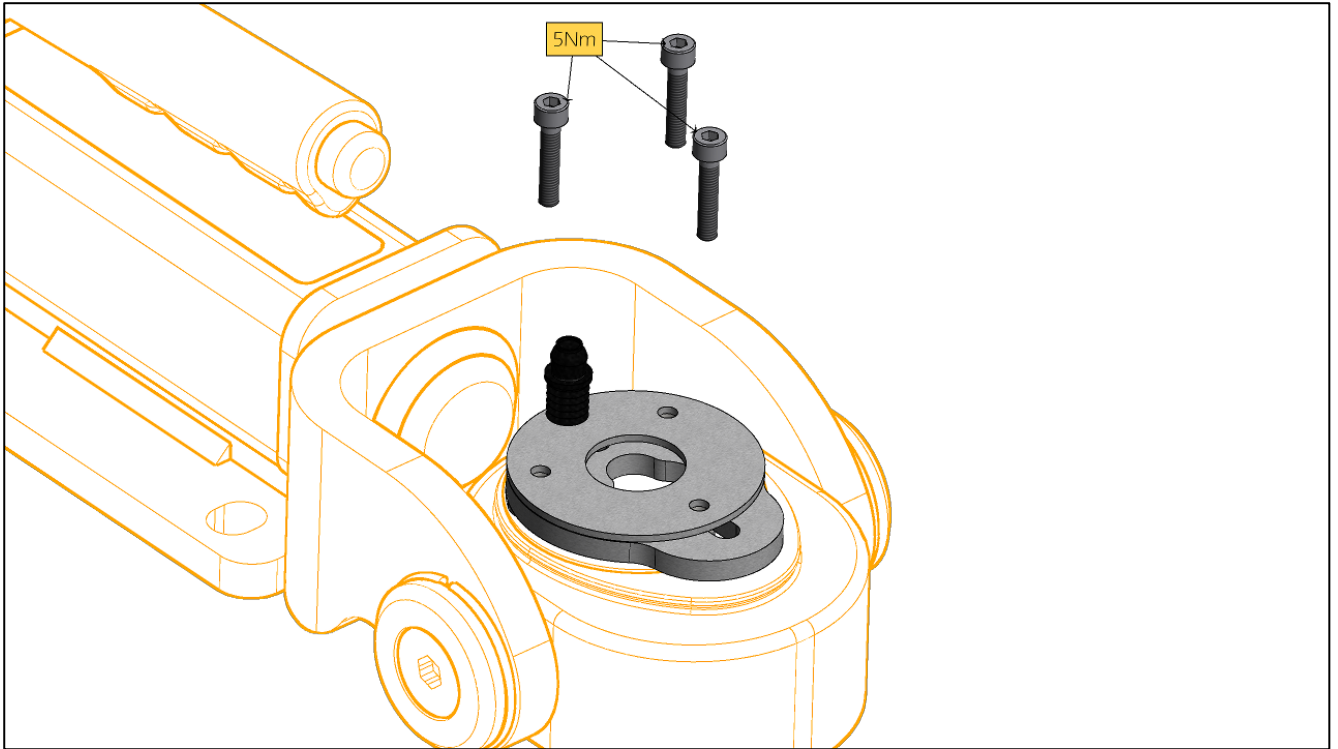
Carefully place the new spacers and the slide springs in the slider plate making sure that the spacers don't eject out.

## 2.8



Insert the new cover plate and button mechanism onto of the plunger spring lining up the boltholes with the spacers.

## 2.9

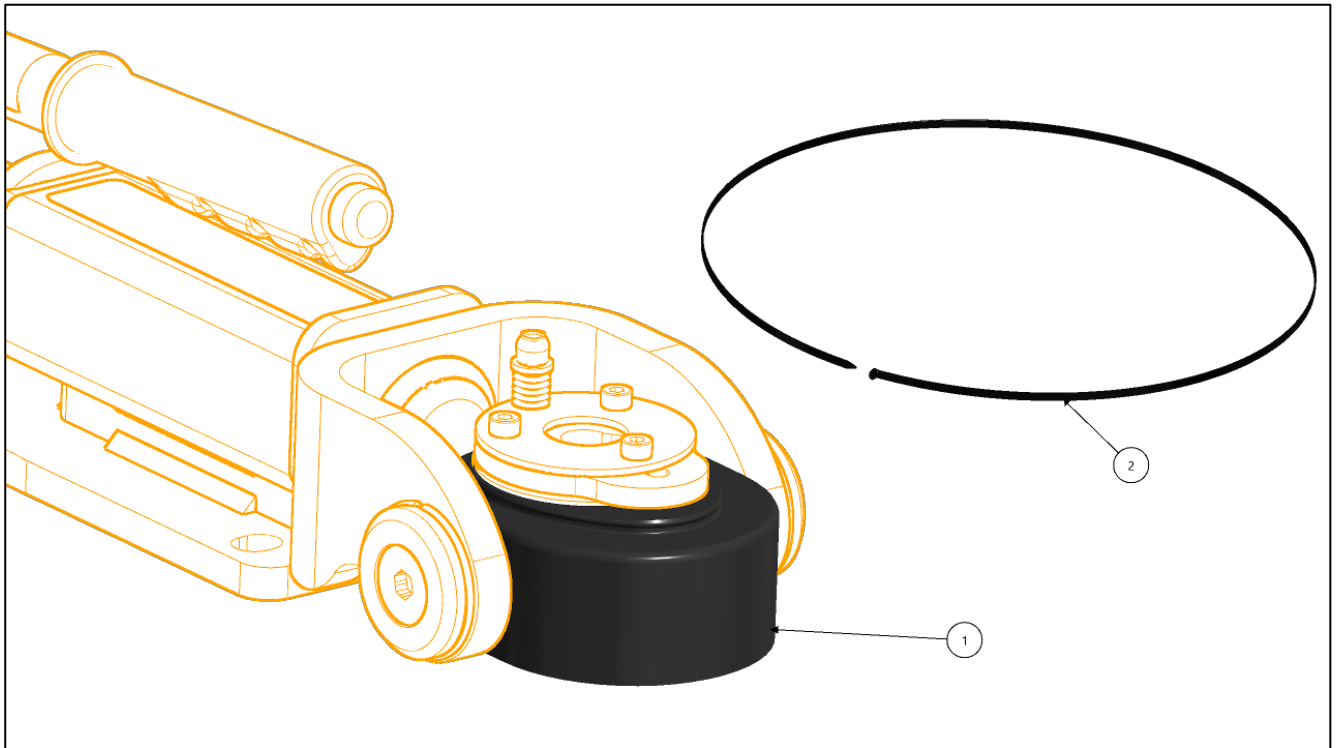


Insert the new pre-located socket head cap screws making sure that they go through the spacers and tighten them up with the 4mm Hex Key and **Torque to 5Nm**. It is recommended to put a small indicator mark after torquing on the bolt heads, making it easier for a visual inspection to spot any non-torqued bolts.



Detail of visual inspection

### 3.0 Replacing Bumper



**DUST COVER REMOVED IN IMAGES TO ALLOW BETTER VIEWING.**

#### Bumper Replacement Kit – 18D-DO35-BUMPER

ITEM	ITEM QTY	DESCRIPTION
1	1	BUMP COVER AND DUST COVER ASSEMBLY
2	1	ZIP TIE

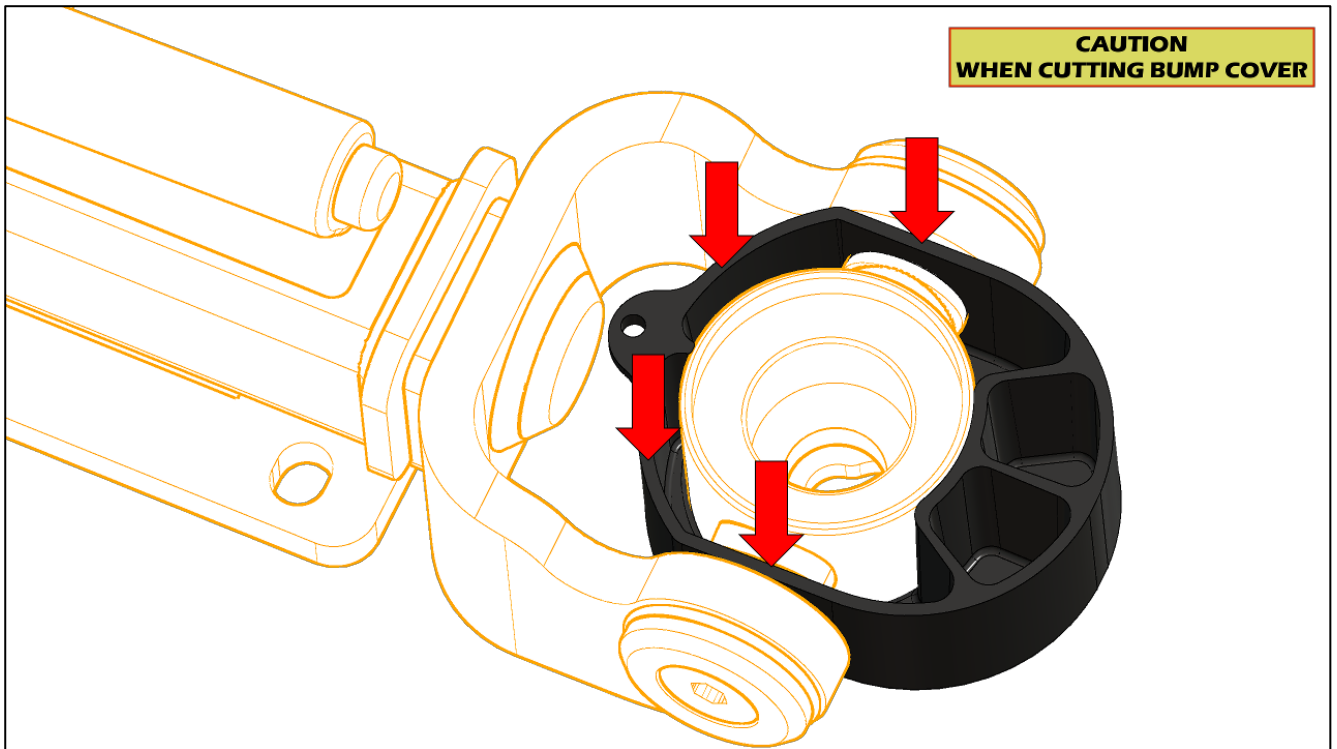
#### Tools required

- Sharp Blade
- Plier Diagonal Cutters

The bumper may be replaced independent of any other process if this is all that is necessary. If the bumper currently on the coupling is damaged it can simply be cut with a sharp blade and removed from the coupling. This will allow the locking mechanism and universal to remain intact.

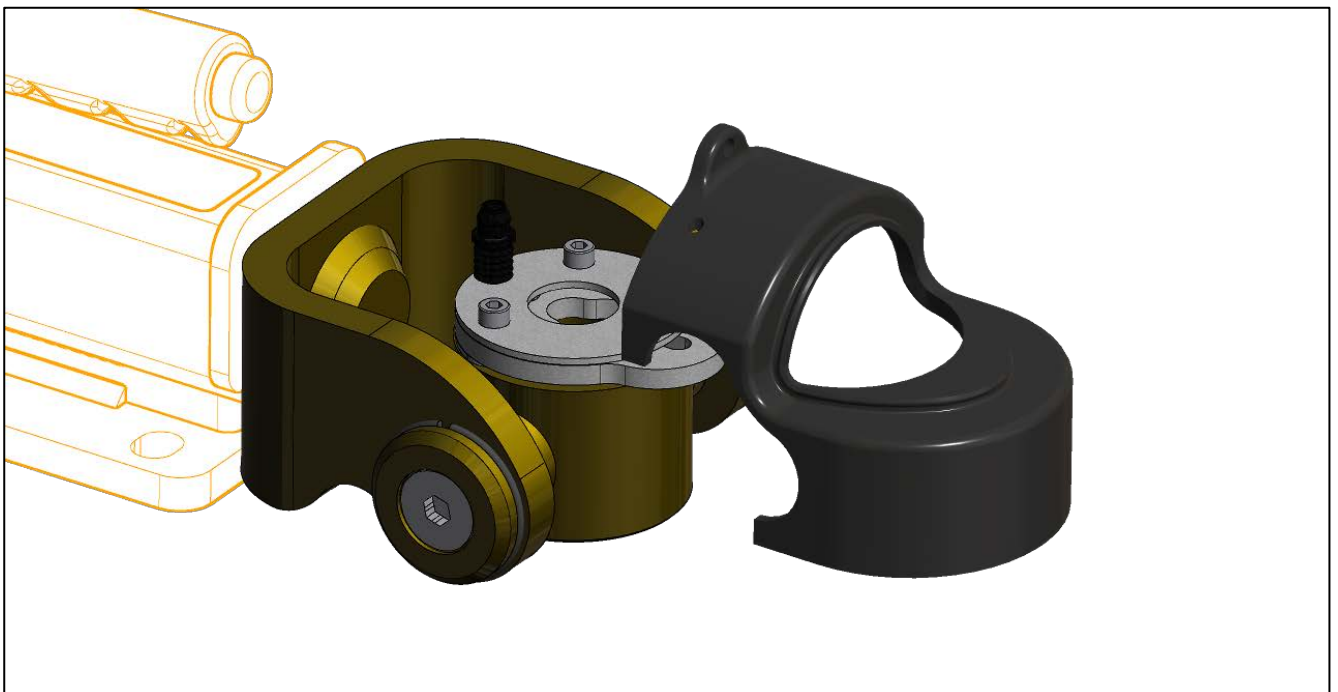
**FAILURE TO FOLLOW ANY OF THESE DIRECTIONS MAY RESULT IN COUPLING FAILURE.**

### 3.1



Cutting through the bumper at the recommended points shown above will allow easy removal without affecting the rest of the assembly.

### 3.2



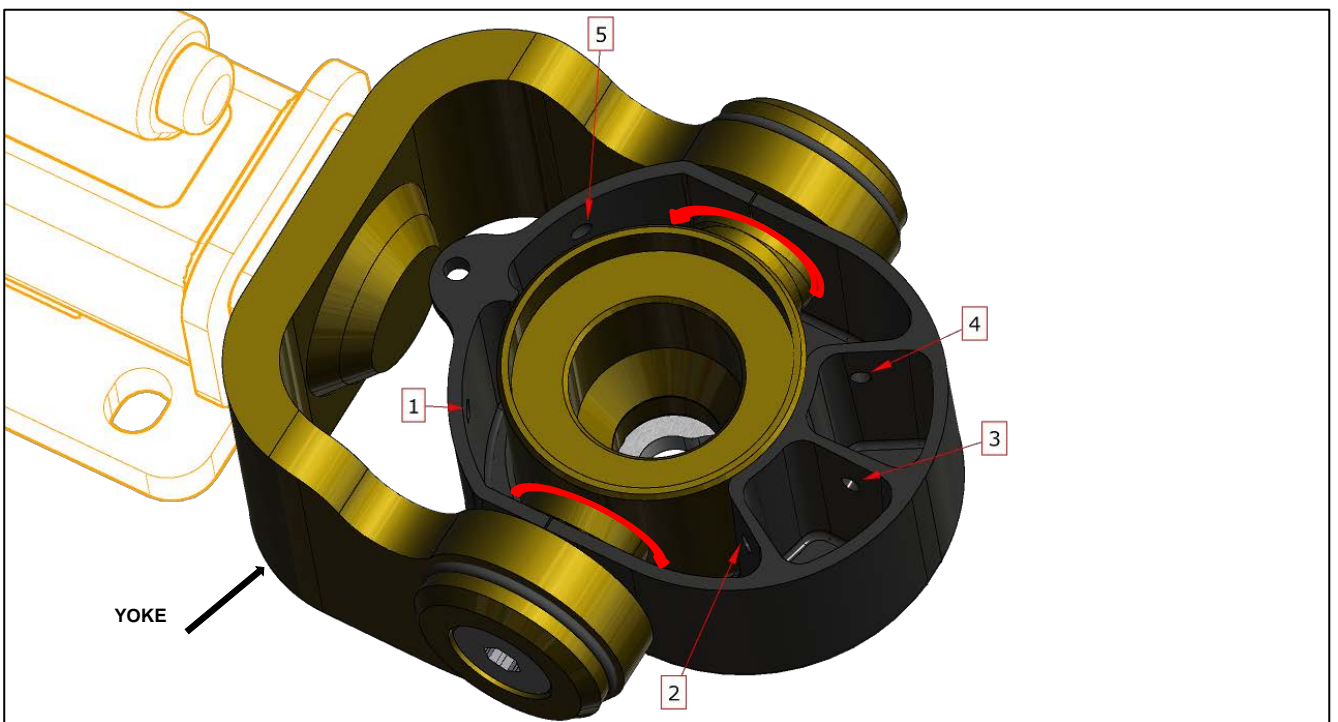
Bend the replacement bump cover as shown.

### 3.3



Push down the button assembly and slide over the Bump cover making sure the yoke pivots holes are over the yoke pivots.

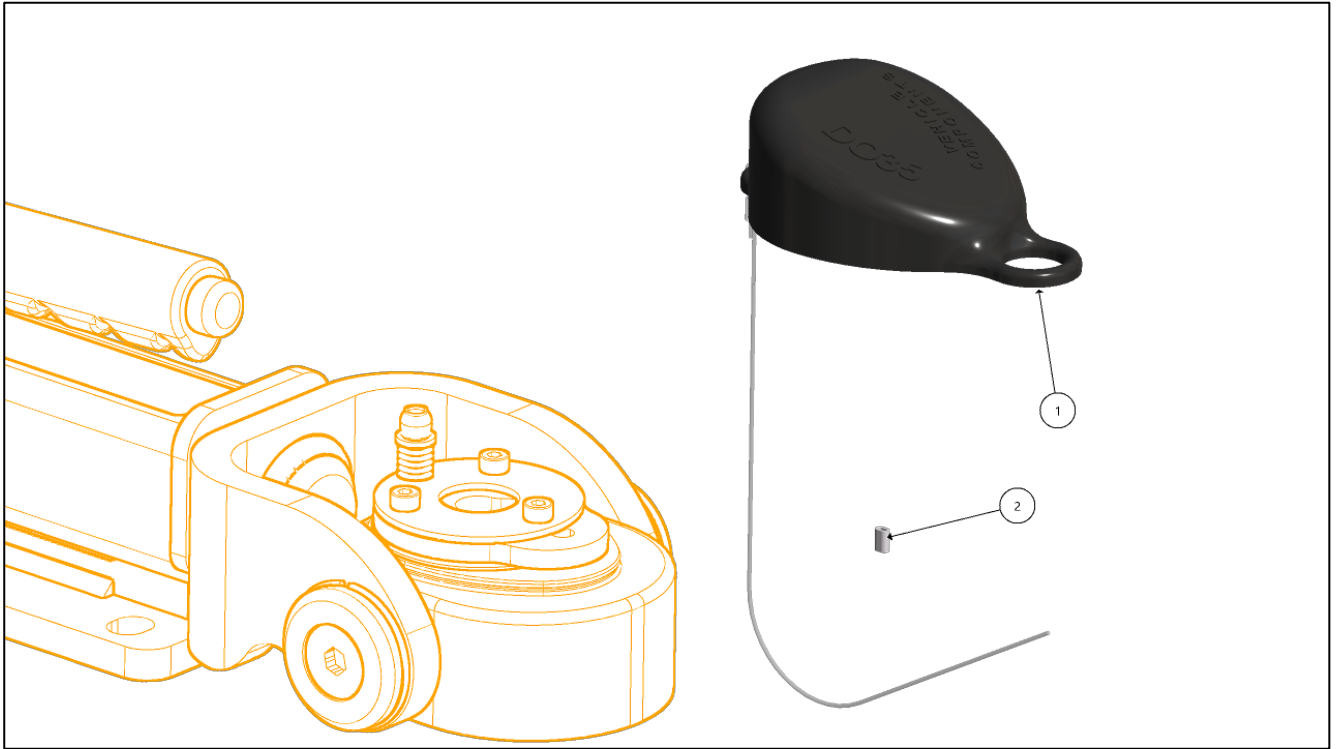
### 3.3



Flip over the yoke and feed the zip tie through the numbered holes in numerical order making sure that it goes over the visible side of the yoke pivot in order to hold down the bump cover as shown in the diagram. Pull tight and cut off excess. Test fit dust cover and locking mechanism for any interference.



## 4.0 Replacing Dust Cover



### Dust Cap Complete with Lanyard – 18D-DO35-CAP

ITEM	ITEM QTY	DESCRIPTION
1	1	DUST COVER AND LANYARD ASSEMBLY
2	1	OVAL SLEEVE

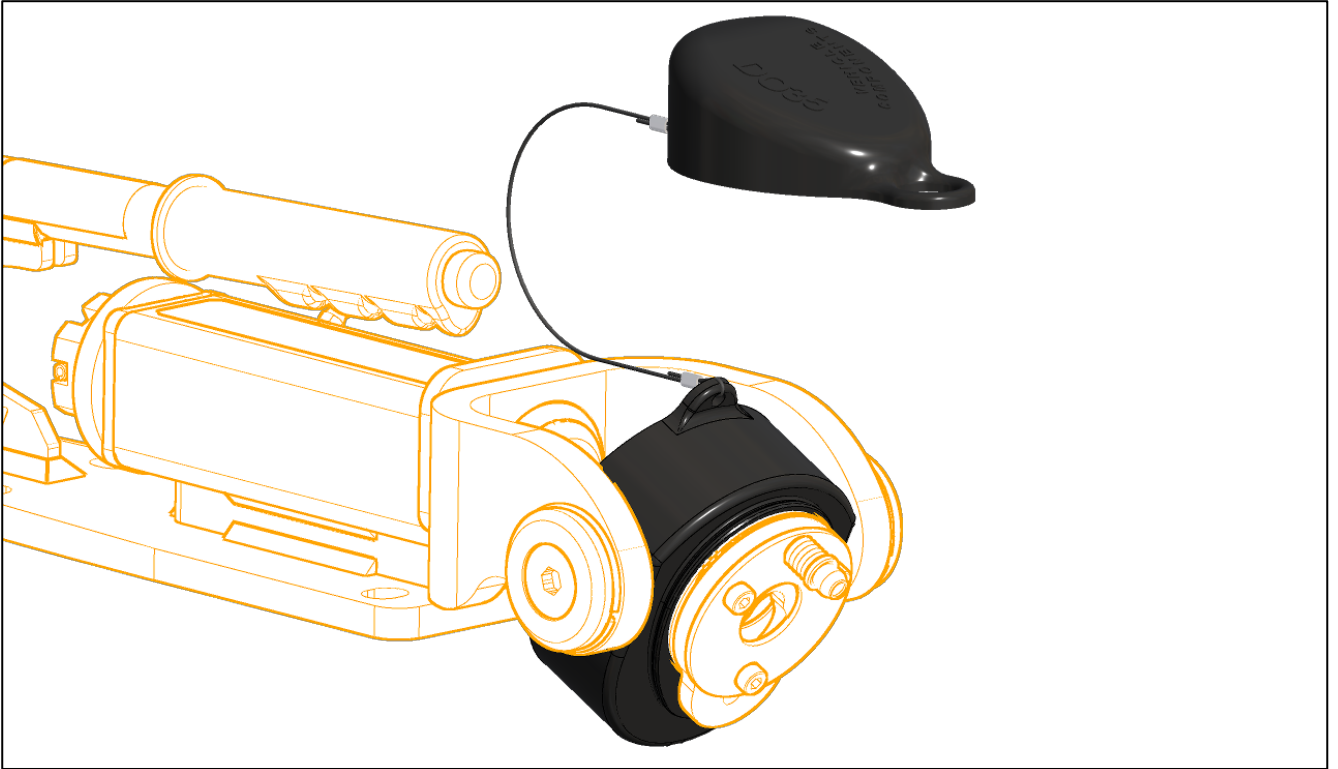
### Tools required

- Plier or Crimping tool
- Plier Diagonal Cutters or cutting instrument

The dust cover may be replaced independent of any other process if this is all that is necessary.

**FAILURE TO FOLLOW ANY OF THESE DIRECTIONS MAY RESULT IN COUPLING FAILURE.**

## 4.1



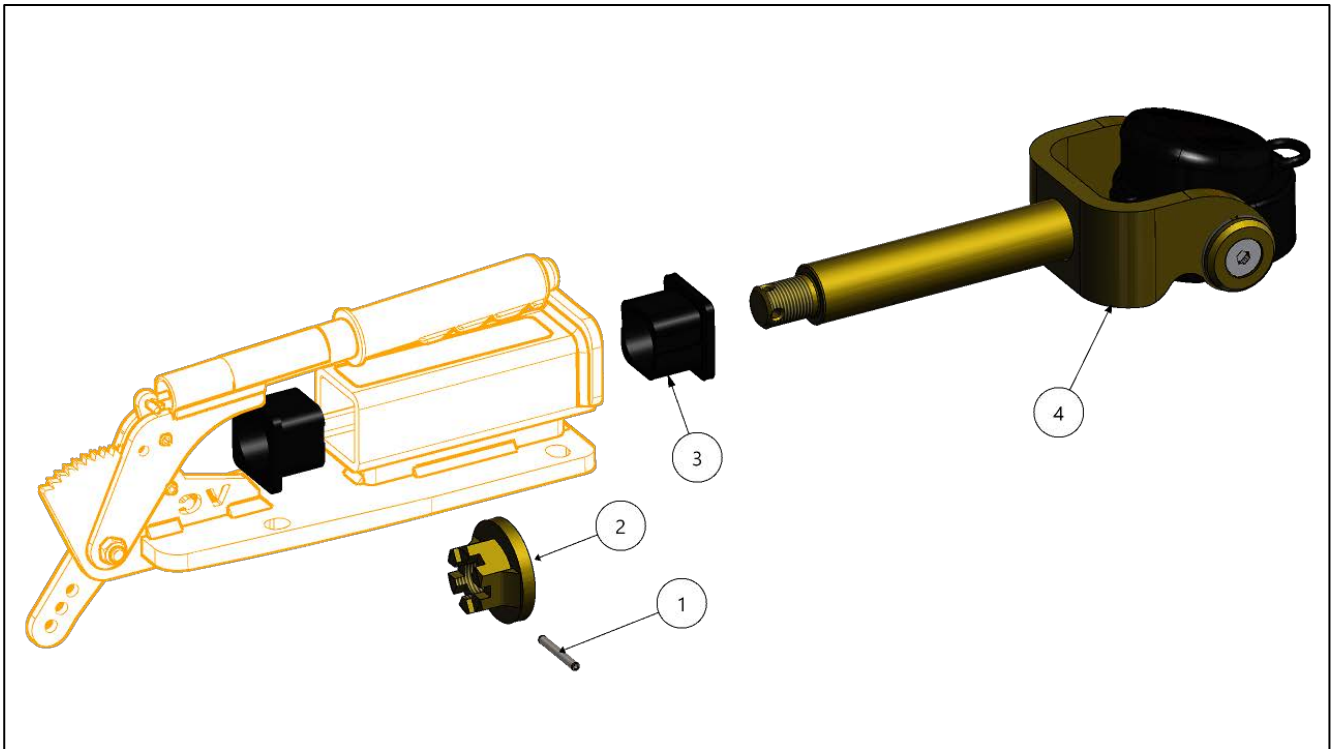
Remove any of the old dust cap and lanyard form the bump cover; thread the lanyard through the sleeve.

Thread the lanyard through the bump cover lanyard attachment hole, making sure that the sleeve is on the underside of the bump cover. Feed the lanyard back through the sleeve so a loop is made through the lanyard attachment hole on the bump cover. Tighten the loop to a snug fit and crimp the oval sleeve with a crimping tool or pliers.



DETAIL OF LANYARD LOOP

## 5.0 Replacing Yoke and Universal Assembly



### DO35 YOKE and UNIVERSAL ASSEMBLY – 18D-DO35-YOKE/UNI

ITEM	ITEM QTY	DESCRIPTION
1	1	SEL-LOC M6x40
2	1	NUT AND WASHER ASSEMBLY
3*	2	SPINDLE BUSH RHS BODY BLACK
3*	2	SPINDLE BUSH RHS BODY GRAY
4	1	YOKE AND UNIVERSAL ASSEMBLY

\* Depending on what colour bush is assembled on your coupling (BLACK OR GRAY) please use the same colour.

#### Tools required

- 1 ½" Spanner or Adjustable Wrench
- Hammer
- 6mm punch

#### Process

- Refer to section 1.0 Replacing Spindle Bushes for procedure, instead of reusing Yoke and Universal Assembly replace with new one.

**FAILURE TO FOLLOW ANY OF THESE DIRECTIONS MAY RESULT IN COUPLING FAILURE.**